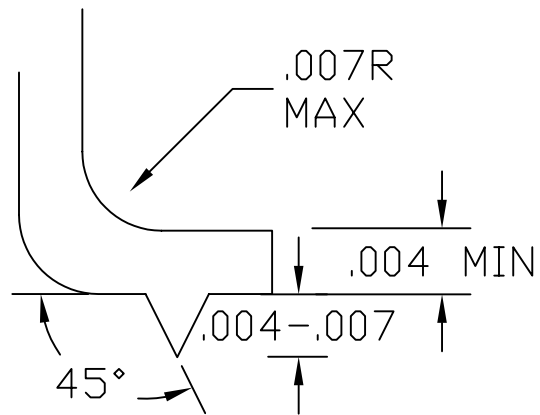
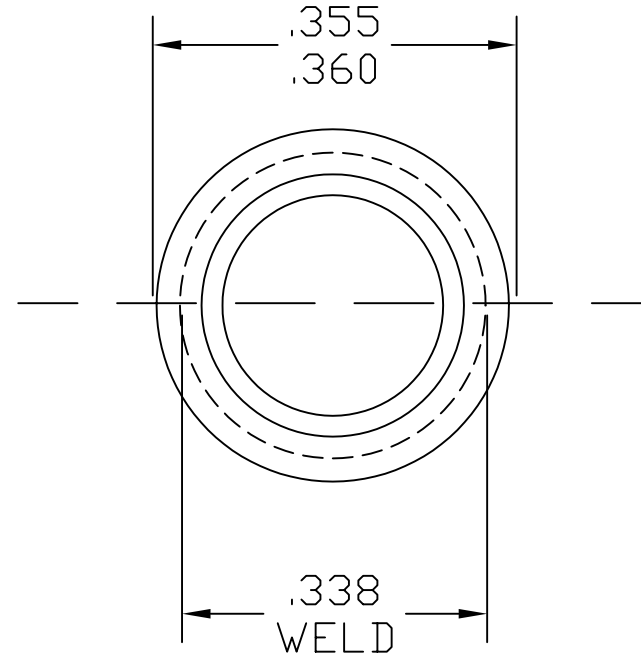
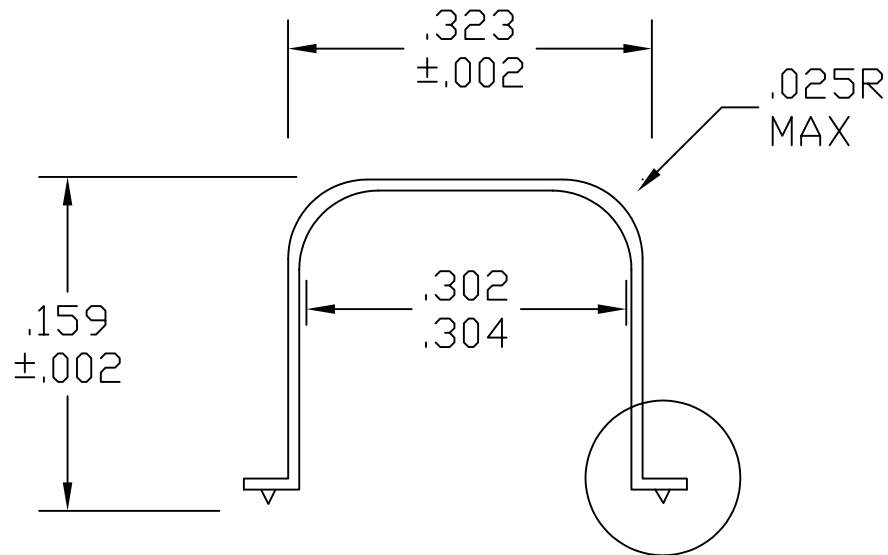
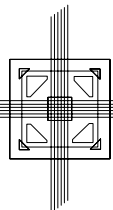


SSM P/N CAN00509



DIMENSIONS ARE IN INCHES.	DRAWING NO.	
	RMP#6801	
TOLERANCES .XXX ±.003	TITLE	SIZE
	T0-5	
DRAWN V.M.	MATERIAL	
	GRADE A NICKEL	



SPECTRUM
SEMICONDUCTOR MATERIALS, INC.

www.spectrum-semi.com Phone: 408-435-5555 Fax: 408-435-8226